

AS-9104/08DA DVI KVM Switch User Manual

Note

This equipment has been tested and found to comply with the limits for a class B digital device, pursuant to part 15 of the FCC rules. These limits are designed to provide reasonable protection against harmful interference in a residential installation. This equipment generates, uses and can radiate radio frequency energy and, if not installed and used in accordance with the instruction manual, may cause harmful interference to radio communications. However, there is no guarantee that interference will not occur in a particular installation. If this equipment does cause harmful interference to radio or television reception, which can be determined by turning the equipment off and on, the user is encouraged to try to correct the interference by one or more of the measures listed below.

- ◆ Reorient or relocate the receiving antenna.
- ◆ Increase the separation between the equipment and receiver.
- ◆ Connect the equipment into an outlet on a circuit different from that to which the receiver is connected.
- ◆ Consult the dealer or an experienced radio/television technician for help.



PACKING LIST

The complete AS-9104/08DA KVM switch package consists of:

- ◆ AS-9104/08DA KVM Switch
- ◆ Power Adapter
- ◆ User Manual

Please check to make sure that all the components are present and that nothing was damaged in shipping. If you encounter a problem, contact your dealer.

Read this manual thoroughly and follow the installation and operation procedure carefully to prevent any damage to the unit, and/or any of the devices that connect to it.

| | |
|----------------------------------|----|
| Overview..... | 3 |
| Features..... | 3 |
| HARDWARE REQUIREMENTS..... | 3 |
| CONSOLE..... | 3 |
| COMPUTER..... | 3 |
| Cable..... | 3 |
| INTRODUCTION..... | 5 |
| AS-9104/08DA Front View..... | 5 |
| AS-9104/08DA Rear View..... | 5 |
| INSTALLATION..... | 6 |
| BEFORE YOU BEIGIN..... | 6 |
| SINGLE STAGE INSTALLATION..... | 6 |
| OPERATION..... | 6 |
| HOT PLUGGING..... | 6 |
| POWERING OFF AND RESTARTING..... | 6 |
| PORT SELECTION..... | 6 |
| OSD OPERATION..... | 7 |
| OSD OVERVIEW..... | 7 |
| OSD NAVIGATION..... | 7 |
| OSD MAIN SCREEN HEADINGS..... | 8 |
| OSD FUNCTIONS..... | 8 |
| TROUBLE SHOOTING..... | 9 |
| SPECIFICATION..... | 10 |
| SAFE GUIDE..... | 10 |

OVERVIEW

AS-9104/08DA Switch is a control unit that allow access and control of up to 8 computers from a single PS/2 / USB keyboard, PS/2 / USB mouse, and monitor console.

There are two convenient methods to access any computer connected to the installation: (1) using the push button port selection switches located on each unit's front panel; (2) selecting from menus provided by the On Screen Display (OSD).

Setup is fast and easy: simply plug cables into their appropriate ports. There is no software to configure, and no incompatible problems. It works on multiple operating platform (PC compatible, Sun, etc.).

There is no better way to save time and money than with a AS-9104/08DA installation. Since a single console manages all of the computers, the AS-9104/08DA; setup: (1) eliminates the expense of having to purchase a separate keyboard, monitor, and mouse for each computer; (2) saves all the space those extra components would take up; (3) saves on energy costs; (4) eliminates the inconvenience and wasted effort involved in constantly moving from one computer to another.

FEATURES

- ◆ Control 4/8 computers with local or remote console.
- ◆ The console is compatible with PS/2 / USB mouse and keyboard. The computer is compatible with USB mouse and keyboard
- ◆ Computer selection via front panel switches and OSD.
- ◆ LEDs display for easy status monitoring.
- ◆ Auto Scan Mode for monitoring all computers.
- ◆ Superior video quality.
- ◆ Easy installation – no software required
- ◆ Hot pluggable – add or remove computers for maintenance without powering down the switch
- ◆ Support Windows, Solaris etc

HARDWARE REQUIREMENTS

CONSOLE

- ◆ A DVI monitor capable of the highest resolution that you will be using on any computer in the installation.
- ◆ USB / PS/2 Keyboard
- ◆ USB / PS/2 Mouse

COMPUTER

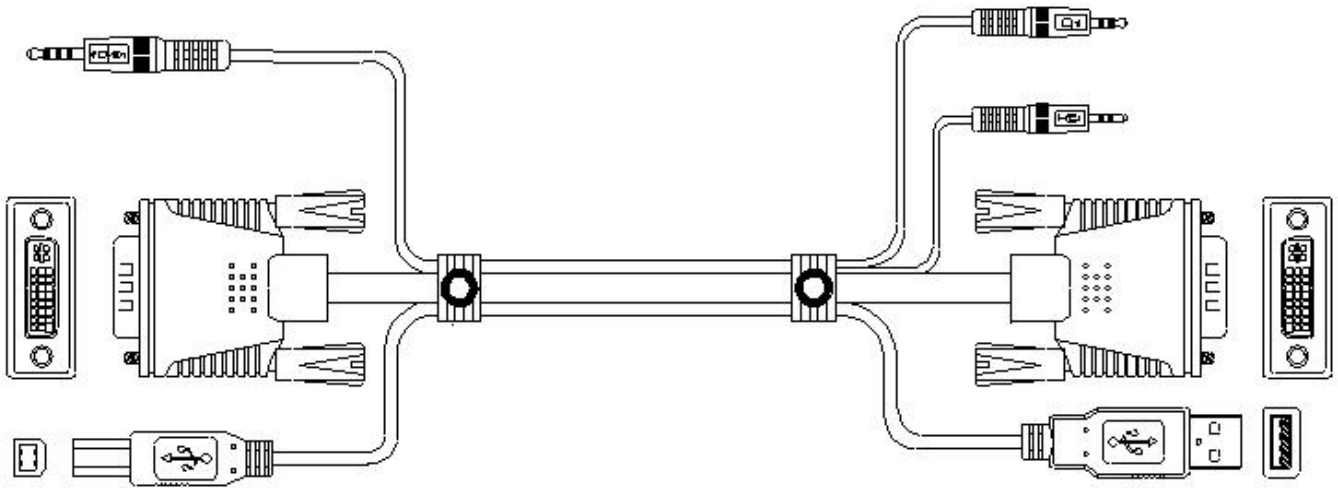
The following equipment must be installed on each computer:

- ◆ DVI-I Card
- ◆ USB port keyboard and mouse ports.

Cable

Customized KVM cables work on these switches only

Depending on the model of the KVM cable, use a computer with a USB cable to transfer data. To purchase a custom KVM cable, contact your dealer.



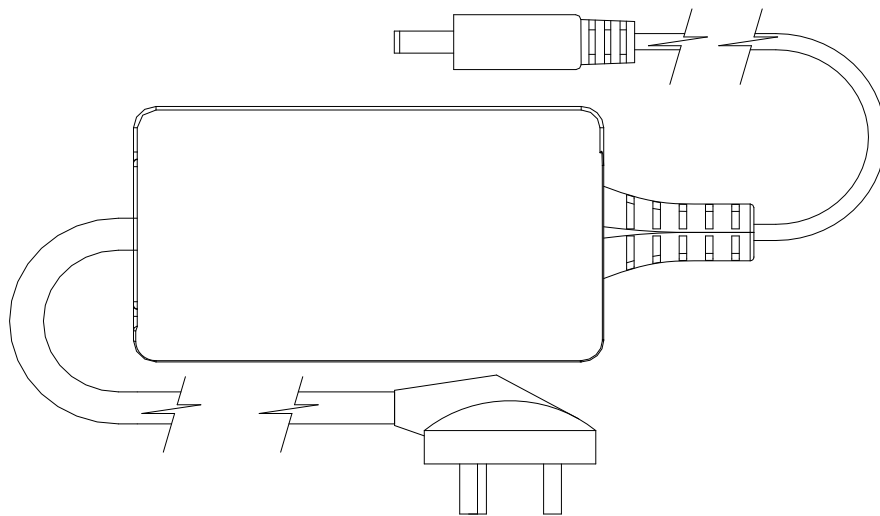
Connect AS-9104/08DA Device

Connect PC

KVM Console Power Cable

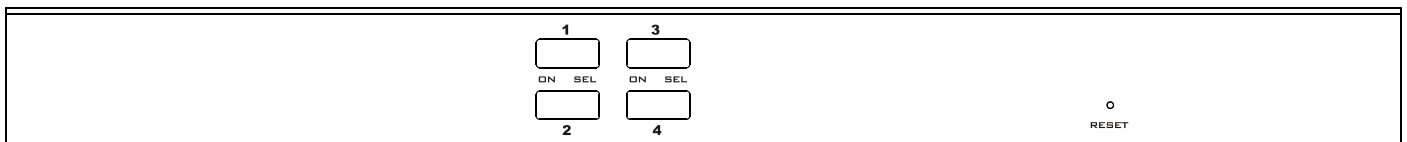
| Type | Instruction | Voltage | Applicable models |
|---------------|--------------------------|-------------|-------------------|
| AC Power Cord | National Standard 3 Plug | AC 100~240V | All |

External LCD Power

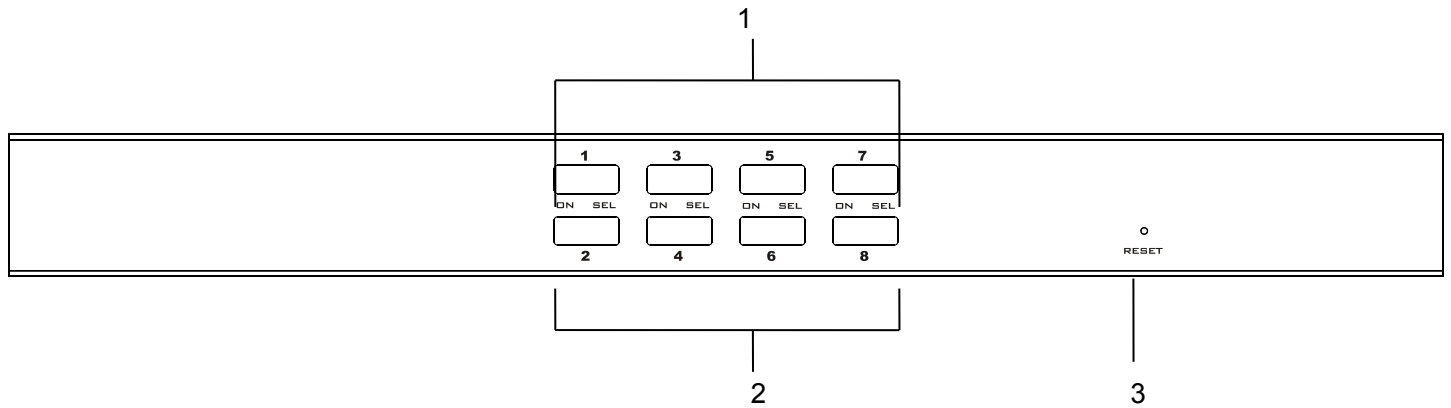


Introduction

AS-9104DA Front View



AS-9108DA Front View



1. LED

The port LEDs are built into the Port Selection Switches. “ON” is online LED; “SEL” is selected port LED.

- ◆ The On Line LEDs light RED to indicate that the computer attached to the corresponding port is up and running.
- ◆ The Selected LEDs light GREEN to indicate that the computer that attached to the corresponding port is the one that has the KVM focus.

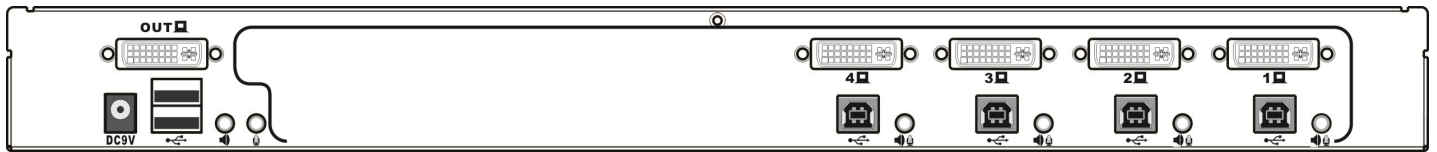
2. Port Selection Switches

- ◆ Press a switch button to access the computer attached to its corresponding port.

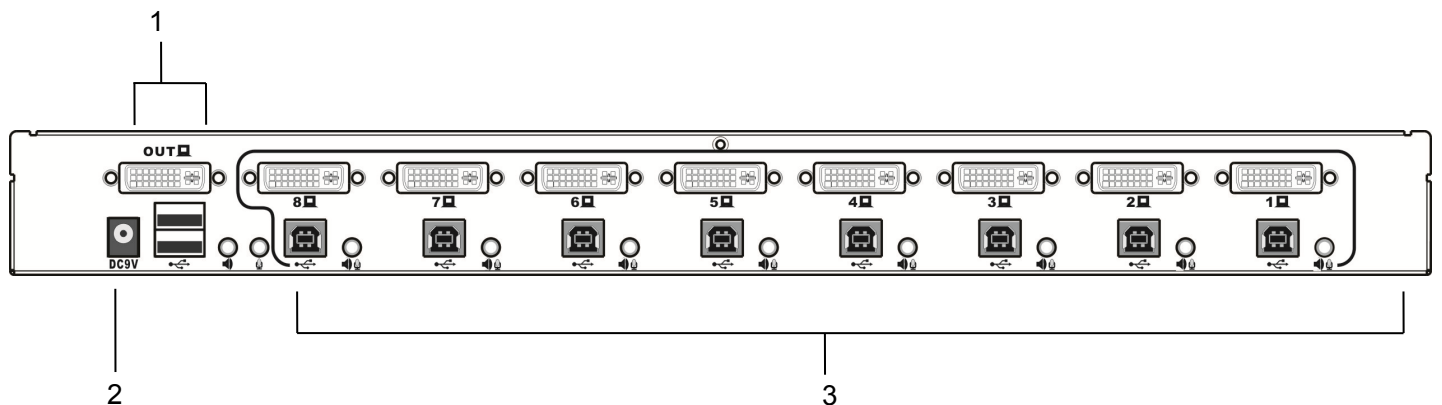
3. Reset

- ◆ When the switch has no responding, use needle or ballpoint pen to plug into the hole to reset the switch.

AS-9104DA Rear View



AS-9108DA Rear View



1. Console Ports

- ◆ Ports to plug USB / PS/2 Keyboard, Mouse, audio and monitor. Each port has a corresponding icon prompt.

2. Power Jack

- ◆ The DC power supply cable plugs into this jack.

3. Computer Port

- ◆ The cable that connects to the computer is inserted here. Each computer port is a KVM connection terminal.

NOTE: A composite cable with a composite DVI-I type composite USB and audio interface should be used.

INSTALLATION

BEFORE YOU BEIGIN

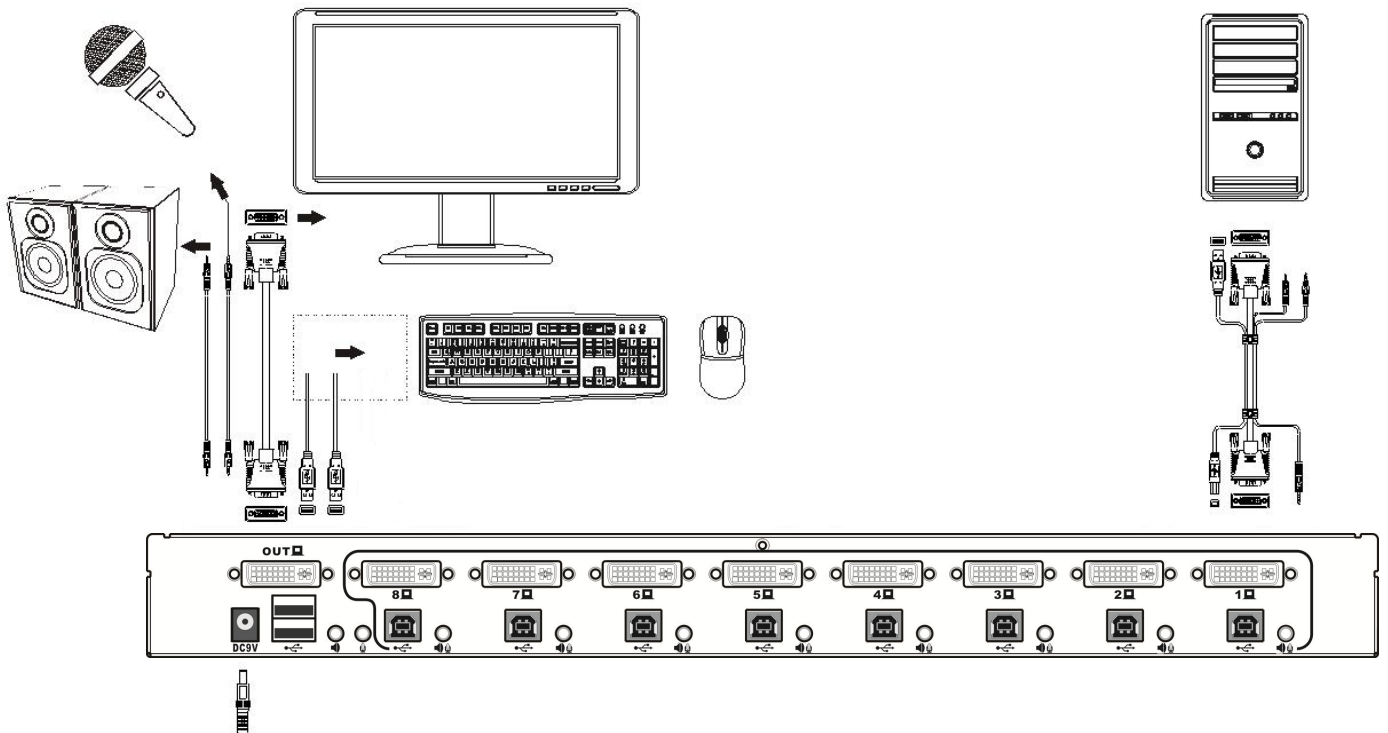
1. Make sure that power to all the devices you will be connecting up have been turned off.
2. To prevent damage to your installation, make sure that all devices on the installation are properly grounded.

SINGLE STAGE INSTALLATION

To set up your AS-9104/08DA, please do the following steps:

1. Plug your PS/2 / USB keyboard, PS/2 / USB mouse, audio and monitor into the console port located on the unit's rear panel.
2. Using the KVM cable, plug the customized SPDB connection terminals into the available connection ports on the switch.
3. On the other end of the cable: plug the USB terminal, DVI video cable, audio cable terminal into the corresponding port on the computer.
4. Plug the power adapter cable into the switch's power jack, then plug the power adapter into an AC power source.
5. Repeat step 2-4 for any other computers you are connecting up
6. This completes the single stage installation, and you can turn on the power to the computers.

Note: The AS-9104/08DA initially links to computer connected to the first Computer port.



OPERATION

HOT PLUGGING

AS-9104/08DA supports hot plugging. Components can be removed and added back into the installation by unplugging and replugging their cables from their respective ports without the need to shut the switch down. For hot plugging to work properly, the following procedure must be observed:

- ◆ Hot Plugging CPU Ports

When to plug or unplug the cable from the port in powering, the cable must be plugged back into the same port it was removed from.

◆ Hot Plugging Console Ports:

The USB keyboard, mouse can be hot plugged.

POWERING OFF AND RESTARTING

If it becomes necessary to power off one of the KVM unit, before starting it back up you must do the following:

1. Shut down all the computers that are attached to the unit.

Note: If the unit is operating under external power, unplug the power adapter cable.

2. Wait 10 seconds, then plug the power adapter back and power on all computers.

PORT SELECTION

AS-9104/08DA provides two methods to obtain instant access to any computer in your installation: manual and OSD.

Manual

Simply press the appropriate port selection switch on the AS-9104/08DA's front panel. After pressing the switch, the selected LED lights to indicate that the port has been selected.

OSD

OSDOSD (On Screen Display), provides a menu driven interface to handle the computer switching procedure to provide instant access to any computer on the installation. OSD operation is discussed below.

OSD OPERATION

OSD menu interface is shown as below:

| PORT | NAME | STATUS |
|------|---------|--------|
| 1 | | |
| ➔ 2 | ABC | ☀ |
| 3 | | |
| 4 | | |
| 5 | Adminpc | |
| 6 | | |
| 7 | | |
| 8 | | |

| | | | |
|-----------------------|-------------------------|----------------------------------|-------------|
| UP ↑ GOTO F1 | DOWN ↓ PORT F2 | SELECT ENTER SETTING F3 | EXIT ESC |
|-----------------------|-------------------------|----------------------------------|-------------|


Note: OSD always starts in List View, with the highlight bar at the same position it was in the last time it was closed.

OSD NAVIGATION

- ◆ To dismiss OSD, press [Esc].
- ◆ To move up and down through the list one line at a time, use the Up and Down Arrow Keys. If there are more list entries than what can appear on the main screen, the screen will scroll..

- ◆ To activate a port, move the highlight bar to it then press [Enter]

OSD MAIN SCREEN HEADINGS

| Heading | Explanation |
|---------|---|
| PORT | This column lists the port numbers for all the CPU ports on the installation. The simplest method to access a particular computer is to move the highlight bar to it, then press [Enter]. |
| NAME | If a port has been given a name, its name appears in this column. |
| STATUS | If the computer on this port is powered on, it will appear  |

OSD FUNCTIONS

OSD functions are used to configure and control the OSD. For example, you can: rapidly switch to any port; scan selected ports only; limit the list you wish to view; designate a port as a Quick View Port; create or edit a port name; or make OSD setting adjustments.

F1 GOTO

GOTO allows you to switch directly to a port either by keying in the port's name or its port number.

- ◆ To use PORT method, move highlight bar to GOTO, press [Enter], input name of a port, then press [Enter] to confirm. If the port number is invalid, it will remind the user to input again.
- ◆ To use NAME method, move highlight bar to "NAME", press [Enter], input name of a port, then press [Enter] to confirm.

Note: When keying name, if there is a matching name, the matched name will appear on the screen, just press [Enter] to switch to that port.

To return to main menu, press [Esc].

F2 PORT

To set or edit a name for a port. Press [F2], the pink edit box will appear, enter the name, and press [Enter] to set the name for this port. The name will appear on the screen.

F3 SETTING

SETTING provides the KVM device-related settings and modify the function.

Press [F3] to display the SETTING option menu list. These options and meanings are as follows:

| Selection | Meaning |
|-----------------------|--|
| OSD HOTKEY | OSD Shortcut hot key settings |
| SWITCH HOTKEY | Switch port hot key settings. |
| OSD POSITION | OSD menu screen displays the position adjustment settings. |
| EDIT USER | User edits setting |
| DISABLE AUTO LOGIN | Enable login user password settings. |
| BEEP OFF | Beep tone settings |
| RESTORE DEFAULT VALUE | Restore to factory default settings |

Move the highlight to the option and press [Enter]. An icon indicates the current selection.

Press [Enter] to return to the OSD main interface, which displays a list of changed ports.

OSD HOTKEY: Selects the activation hot key for the OSD menu.

- ◆ [Ctrl] [Ctrl] To activate the hot key, double-click the [Ctrl] key.
- ◆ [Scroll] [Scroll] To activate the hot key, double-click the [Scroll] key.
- ◆ [Shift] [Shift] To activate the hotkey assignment, double-click the [Shift] key
- ◆ [Alt] [Alt] To activate the hotkey assignment, double-click the [Alt] key.

Move the highlight to an option and press [Enter] to select it.

SWITCH HOTKEY: Switch port shortcut settings.

- ◆ [Ctrl] [Ctrl] [NUM] Activates the hotkey assignment by double-clicking the [Ctrl] key and selecting the switch port number.
- ◆ [Scroll] [Scroll] [NUM] Activates the hot key assignment by double-clicking the [Scroll] key and the selected switch port number.
- ◆ [Shift] [Shift] [NUM] Activates the hotkey assignment by double-clicking the [Shift] key and selecting the switch port number.
- ◆ [Alt] [Alt] [NUM] Activates the hotkey assignment by double-clicking the [Alt] key and selecting the switch port number.

OSD POSITION: The OSD menu screen displays the position adjustment settings.

Move the highlight to the option and press [Enter]. Press the [ENTER] button to save the settings. After the OSD is successfully displayed, the OSD will be displayed according to the new settings.

EDIT USER: Add Set user name and password settings.

Move the highlight to the option and press [Enter]. You need to enter the correct password before you can add new users. The default password is admin, and you can enter a new user name and password after the password is validated. The setting takes effect immediately.

DISABLE AUTO LOGIN: Enables the login user password setting.

Move the highlight to the option and press [Enter]. Can be DISABLE AUTO LOGIN and ENABLE AUTO LOGIN selection switch, the default is DISABLE AUTO LOGIN, this option does not require a user name and password login. Otherwise, authentication of the logged-in user is required to use the OSD setup menu.

BEEP OFF: Buzzer tone setting.

Move the highlight to the option and press [Enter]. You can switch between BEEP OFF and BEEP ON. The default is BEEP OFF. This option button buzzer is on, otherwise the buzzer beeps off.

RESTORE DEFAULT VALUE: Restores the factory default settings.

Move the highlight to the option and press [Enter]. Will be prompted RESTORE DEFAULT VALUE (Y / N)? Key input "Y" means to restore the factory settings, "N" to cancel the restore factory settings and return to the function.

TROUBLE SHOOTING

| Symptom | Possible Cause | Action |
|---------------------------------------|---|--|
| Keyboard and/or mouse not responding. | Keyboard and/or mouse need to be reset. | Unplug the cables from the console ports , then plug them back in. |
| | No connection to the computer. | Check the cable from the switch to the computer to make sure it is properly connected. |
| | KVM switch needs to be reset. | Press reset button on the rear panel. |
| OSD menu no display. | Power supply problem. | Plug power adapter to supply enough power. |

Specification

| | | | |
|------------------------|----------------|-------------------------------|-----------|
| Model | | AS-9104DA | AS-9108DA |
| Computer connections | | 4 | 8 |
| CPU port selection | | Front panel switches/OSD menu | |
| Console connectors | Keyboard | 1 x USB Type A Female | |
| | Mouse | 1 x USB Type A Female | |
| | Video | 1 x DVI-I Female | |
| PC Connectors | Keyboard/Mouse | 1 x USB Type B Female | |
| | Video | 8 x DVI-I Female | |
| LEDs | On Line | 4 | 8 |
| | Selected | 4 | 8 |
| Video resolution | | 1920*1080@60HZ, DDC2B | |
| Power Adapter | | DC9V, 9W | |
| Operating temperature | | -10°C~50°C | |
| Storage temperature | | -20°C~60°C | |
| Housing | | Metal | |
| Weight | | 0.96 Kg | 1 Kg |
| Dimensions(L x W x H) | | 432 x 155 x 44 mm | |

SAFE GUIDE

Please follow the directions below when installing, using and maintaining it in order to guarantee the device to work well.

- ◆ When installing and operating the device, please make sure proper power supply first, and then do other operations after it is initialized.
- ◆ As signal and power transfer need custom cable, please use matched cable, unmatched cable may cause system work improperly or even damage the device.
- ◆ Keep airy during operating to prevent high temperature.
- ◆ Keep the device away from working long in wet environment to prevent short circuit.
- ◆ Please do not open the device without permission of professionals.